



# CAT 308

## Classic Advanced Tweeter

Ø 104mm, 8Ω



### SPECIFICATIONS

#### General Data

Overall Dimensions	<b>DxH</b>	104mm(4.09")x46mm(1.81")
Nominal Power Handling (DIN)	<b>P</b>	200W
Transient Power 10ms		1000W
Sensitivity 1W/1M		90dB SPL
Frequency Response		1,600-25,000 Hz
Cone/Dome Material		Acuflex™ hand coated soft dome
Net Weight	<b>Kg</b>	0.573

#### Electrical Data

Nominal Impedance	<b>Z</b>	8Ω
DC Resistance	<b>Re</b>	5.2Ω
Voice Coil Inductance @ 1KHz	<b>LBM</b>	0.09mH

#### Voice Coil and Magnet Parameters

Voice Coil Diameter	<b>DIA</b>	28mm
Voice Coil Height		2.7mm
HE Magnetic Gap Height	<b>HE</b>	2.5mm
Max. Linear Excursion	<b>X</b>	
Voice Coil Former		Aluminum
Voice Coil Wire		Hexatech™ Aluminum
Number Of Layers		2
Magnet System Type		Ferrite vented
B Flux Density	<b>B</b>	1.5 T
BL Product	<b>BXL</b>	3.5 N.A

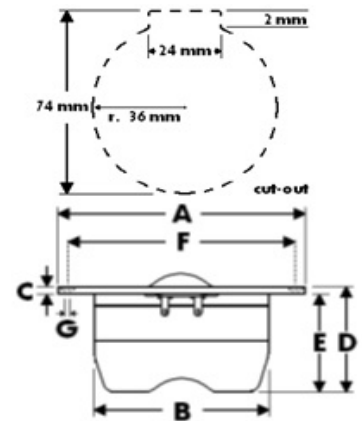
#### T-S Parameters

Suspension Compliance	<b>Cms</b>		
Mechanical Q Factor	<b>Qms</b>		
Electrical Q Factor	<b>Qes</b>		
Total Q Factor	<b>Qts</b>		
Mechanical Resistance	<b>Rms</b>		
Moving Mass	<b>Mms</b>	0.44 g	
Eq. Cas Air Load (liters)	<b>VAS</b>		
Resonant Frequency	<b>Fs</b>	650 Hz	
Effective Piston Area	<b>SD</b>	6.0 cm <sup>2</sup>	

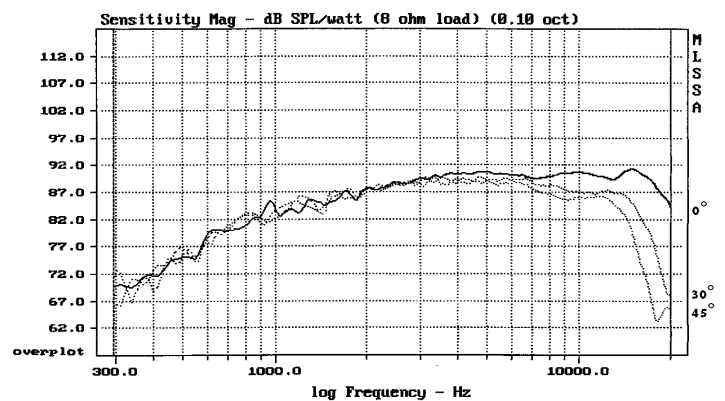
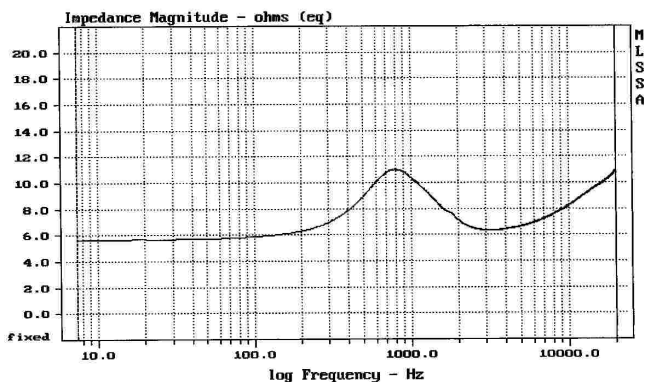
#### Features

- \* 104mm aluminum face plate
- \* Large Hexatech™ Aluminum voice coil
- \* Replaceable Acuflex™ dome / coil assembly
- \* Ferro fluid cooled
- \* High power handling
- \* Sturdy gold plated input tags

#### Unit Dimension



A - Overall diameter	104mm
B - Magnet/Chamber diameter	72mm
C - Flange thickness	3mm
D - Overall height	46mm
E - Magnet/Chamber depth	43mm
F - Mounting holes location diameter	94mm
G - 3 Mounting holes, at 120° interval,	
inner hole diameter	Ø 3.7mm
pocket	h 1mm, Ø 7mm



This model replaces former Morel MDT-30 and MDT-32S models.

Morel operate policy of continuous product design improvement, consequently specifications are subject to alteration without prior notice.