



THE KING OF TWEETERS

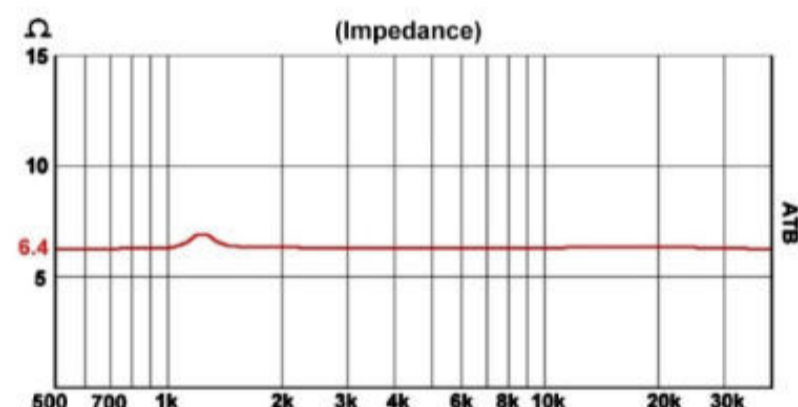
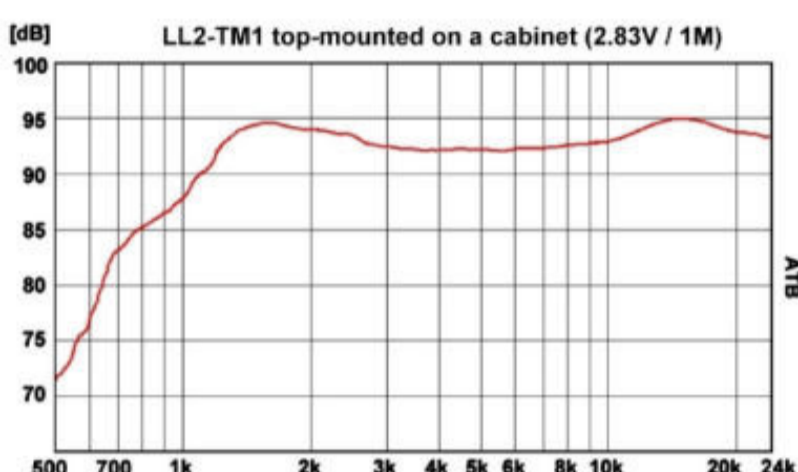
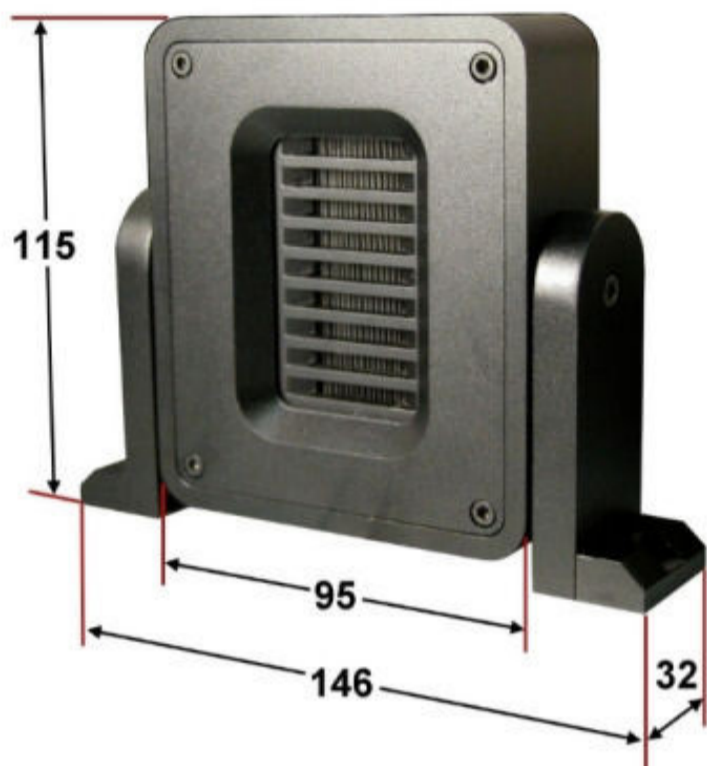
LL2-TM1 Top-Mount Air motion tweeter

Sounding from front and back with adjustable angle.

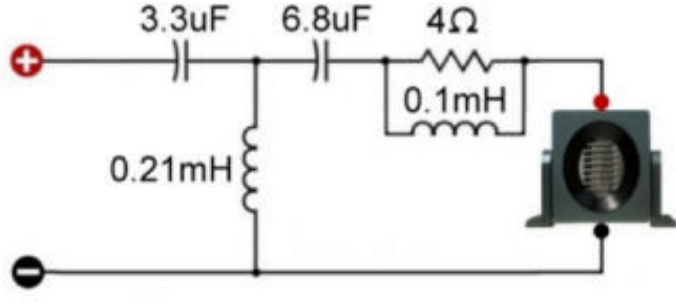
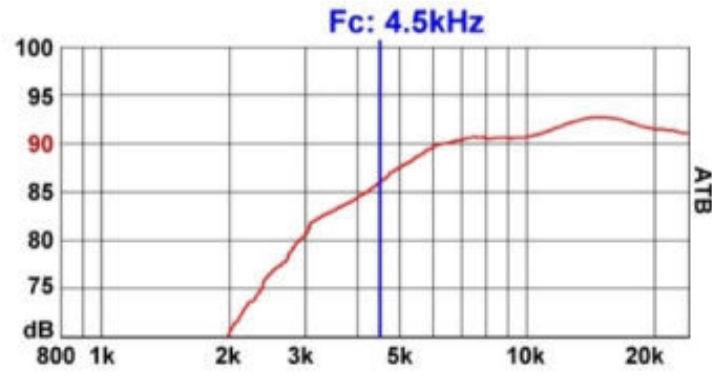
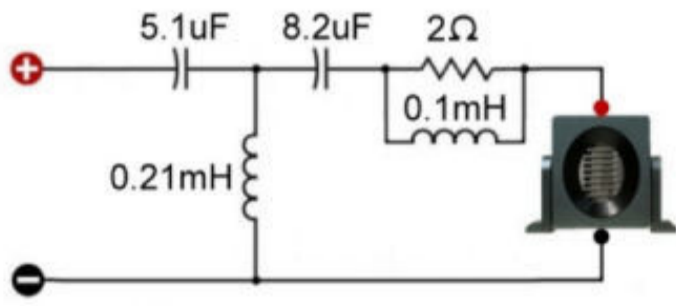
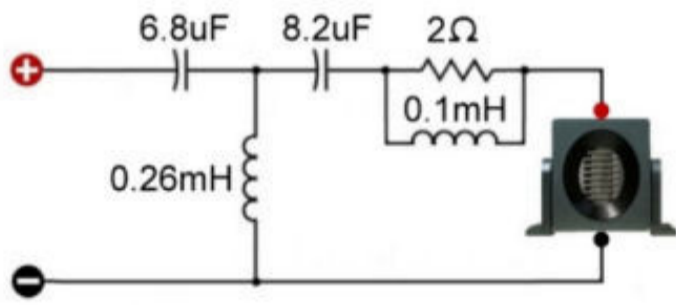
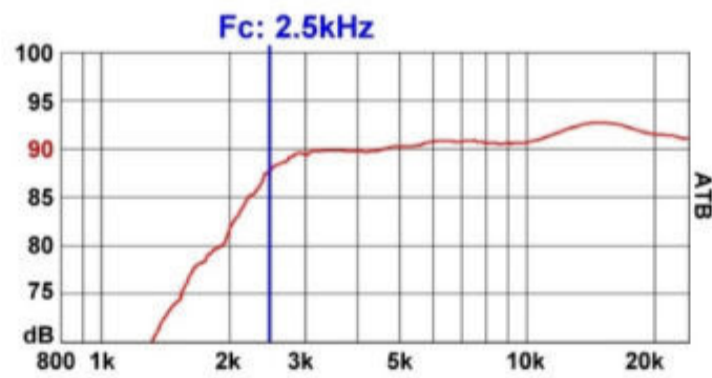
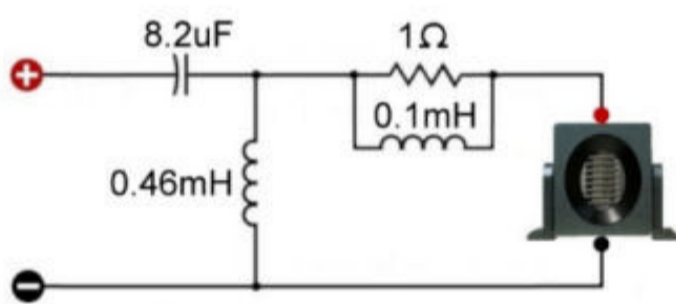
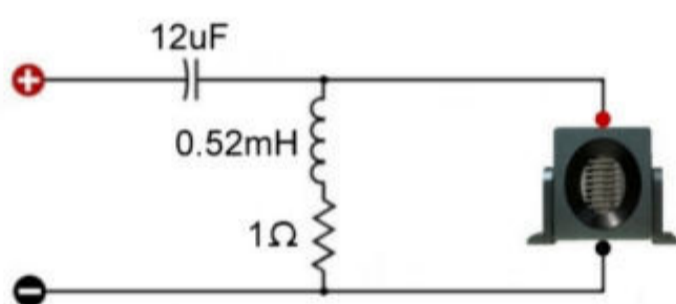
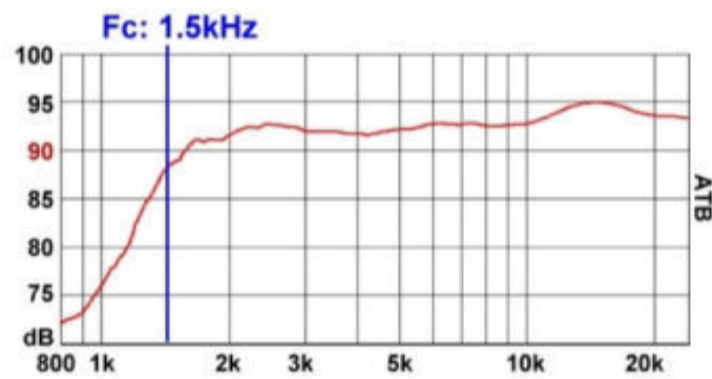


Sensitivity (2.83V / 1M):	94dB
Frequency range:	1500-30000Hz
Impedance:	6.4 ohm
Resonance frequency:	1200Hz
Lowest crossover frequency:	1500Hz
Power handling:	300W
Effective diaphragm area	14cm ²
Magnet type	Neodymium
Weight	0.97Kg

Rear View



Reference applications for LL2-TM1



The inductors used in the applications above are at AWG 20#.
 The microphone is placed at 1M on axis, the tweeter is top-mounted on the cabinet, measured under free field conditions with 2.83V power input.

Made in Hong Kong

Designed by L.C.Y.