

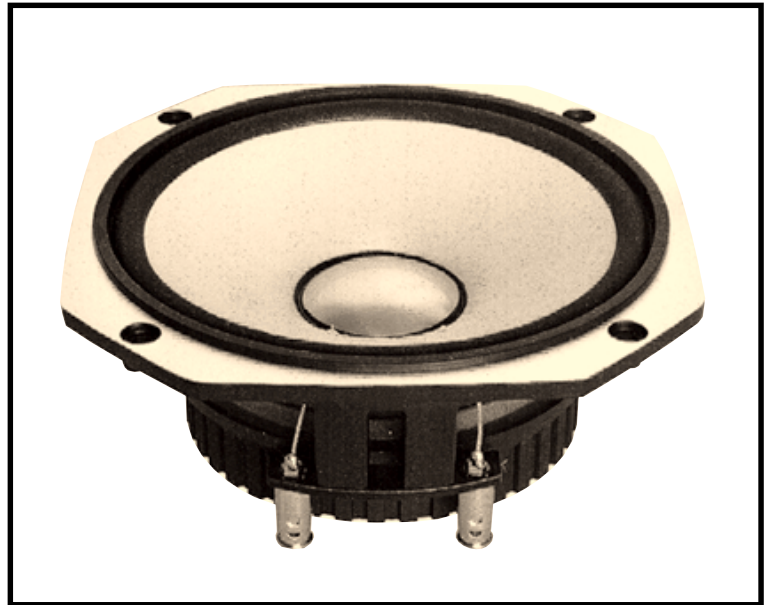


FX-series

FX200

Features

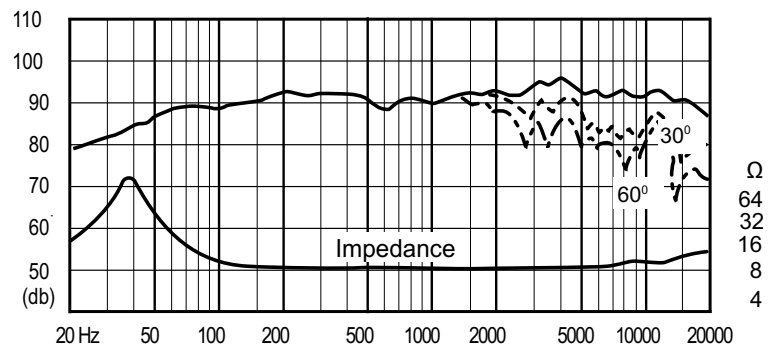
- ◆ 200mm (8 in) cone type full range
- ◆ 8 ohm impedance
- ◆ fo to 20kHz frequency response
- ◆ 92dB sensitivity at 1W/1m (3.3ft)
- ◆ 2.45kg (5.401 lb) net weight



Specifications & Thiele/Small Parameters

Impedance	: 8 ohm
Minimum Frequency Response	: 38Hz
Reproduction Frequency Response	: fo - 20kHz
S.P.L.	: 92dB/W (m)
Rated Input	: 15W
Music Power	: 45W
Equivalent Diagram Radius	: 80mm (3.150 in)
Equivalent Mass	: 15.8g (0.035 lb)
Magnet Weight	: 721g (1.590 lb)
Net Weight	: 2.45kg (5.401 lb)
Fs	: 38Hz
Re	: 7.5 ohm
Qts	: 0.45
Qms	: 7.0
Qes	: 0.48
Vas	: 82.3 L
Xmax	: 1.0mm (0.039 in)
no	: 0.583%

Frequency Response / Impedance



Dimensions & Mounting Information

