

# Audiom 11 WX

## 11" W<sup>®</sup> cone woofer



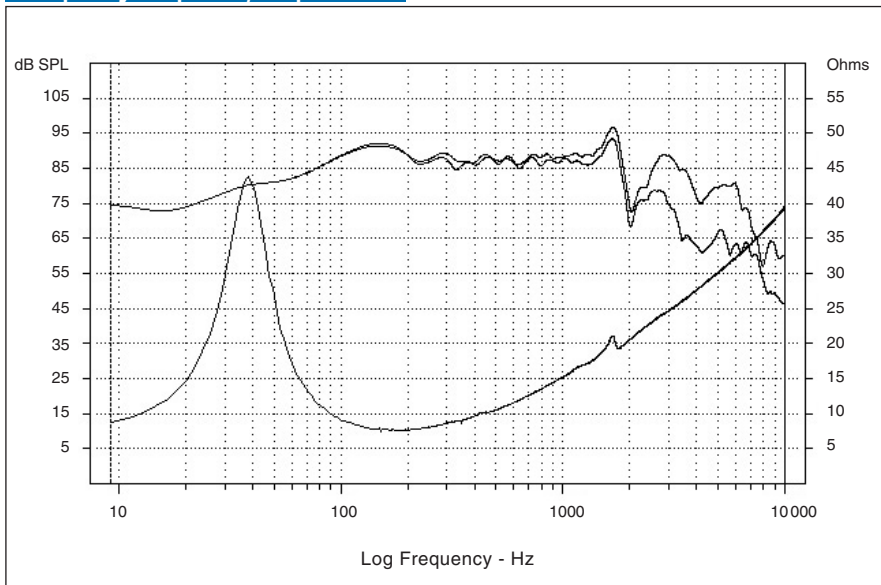
- Thick aluminium sand cast frame
- Straight profile "W"<sup>®</sup> cone, large rubber surround
- Edgewound flat copper wire 65mm voice coil, black aluminium former
- Efficiency: 89.3dB
- Superb bass definition for high resolution in 40 to 60l 3-ways vented systems



### Specifications

Nominal power	175 W	
Maximum power	250 W	
Sensitivity	88.4 dB	
Cone	"W" <sup>®</sup>	
Surround	rubber	
Nom. impedance	6 ohms	
DC resistance	6.55 ohms	
VC diameter	65 mm	10.08 in
VC height	17 mm	0.67 in
Former	aluminium	
Layers	1	
Wire	copper	
Inductance	1.42 mH	
Xmax	3.5 mm	0.14 in
Magnet d x h	12x(60x14mm)	12x(2.36x0.55 in)
Magnet weight	12 x 162 g	
Flux density	1.1 T	
Gap height	10 mm	0.39 in
Net weight	8.8 kg	19.4 lb

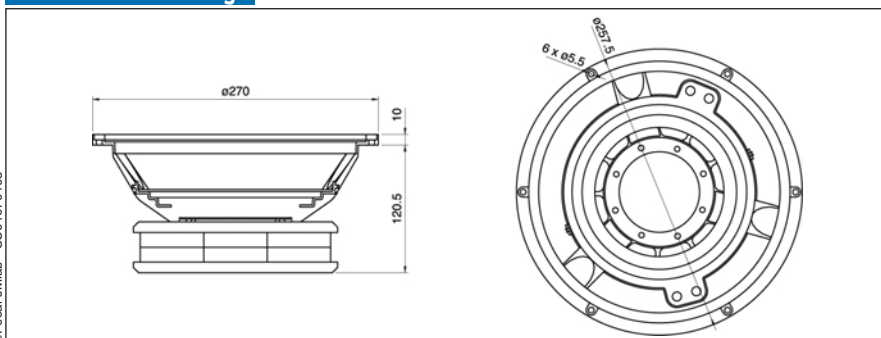
### Frequency Response / Impedance



### Parameters

Fs	38.5 Hz	
Vas	42.8 l	2611.8 in <sup>3</sup>
Qts	0.38	
Qes	0.44	
Qms	2.55	
Re	6.55 ohms	
Sd	346.4 Cm <sup>2</sup>	53.7 in <sup>2</sup>
Cas	305E-09 m5/N	
Mas	56.0 kg/m4	
Ras	5315.1 ohms.ac	
Cms	0254E-6 m/N	
Mms	67.18 g	0.148 lb
Rms	6.38 g/s	
Ces	277.6 mF	
Les	61.5 mH	
Res	38.0 ohms	
BI	15.56 N/A	
SPL	89.3 dB/W/m	

### Mechanical Drawing



### Suggested application

Load	V (l)	Fb (Hz)	F-3 (Hz)	Ql
Vented	45	43	39	7
Vented	60	38	35	7

Focal<sup>®</sup> is a trademark of Focal-JMLab<sup>®</sup>