

# 7 V 4212 DB

7" Polyglass® woofer-midrange



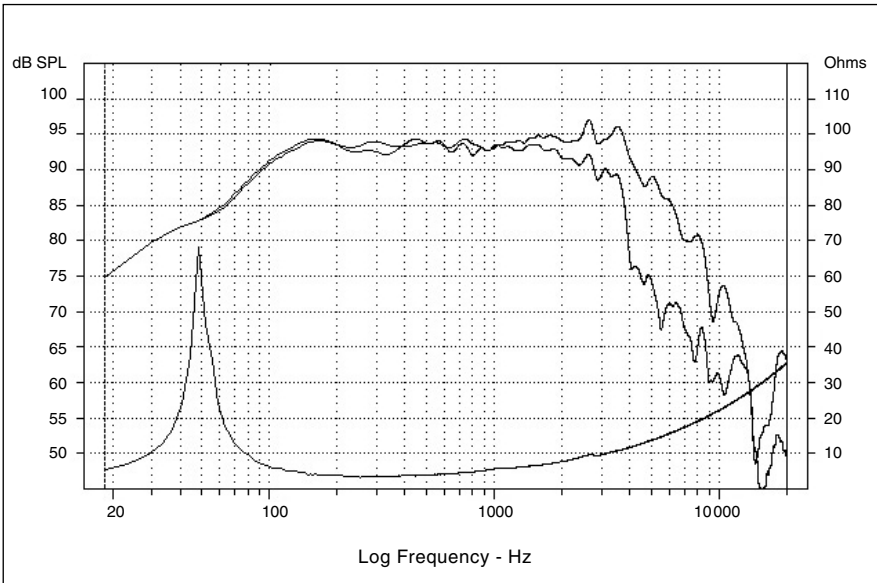
- Thick zamak alloy metal cast frame
- Straight profile Polyglass® cone, rubber surround
- 25mm diameter dual voice coil, black aluminium former
- Efficiency: 92dB
- Practical for 15 to 20l vented 2-way systems using dual voice coil filtering



## Specifications

Nominal power	60 W	
Maximum power	80 W	
Sensitivity	90.89 dB	
Cone	Polyglass®	
Surround	rubber	
Nom. impedance	3 ohms	
DC resistance	2 x 3 ohms	
VC diameter	25 mm	3.88 in
VC height	11.5 mm	0.45 in
Former	Nomex®	
Layers	4	
Wire	copper	
Inductance	0.48 mH	
Xmax	2.8 mm	0.11 in
Magnet d x h	100 x 18 mm	3.93 x 0.70 in
Magnet weight	564 g	1.24 lb
Flux density	1.2 T	
Gap height	6 mm	0.24 in
Net weight	1.8 kg	3.97 lb

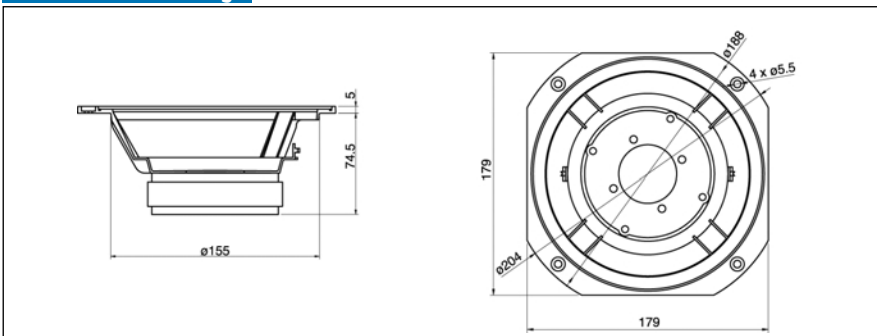
## Frequency Response / Impedance



## Parameters

Fs	49.4 Hz	
Vas	27.0 l	1647.6 in3
Qts	0.31	
Qes	0.32	
Qms	6.99	
Re	3 ohms	
Sd	165.1 Cm <sup>2</sup>	25.6 in <sup>2</sup>
Cas	192E-09 m5/N	
Mas	54.2 kg/m4	
Ras	2403.3 ohms.ac	
Cms	0704E-6 m/N	
Mms	14.77 g	0.033 lb
Rms	0.66 g/s	
Ces	343.9 mF	
Les	30.2 mH	
Res	65.5 ohms	
BI	6.55 N/A	
SPL	91.9 dB/W/m	

## Mechanical Drawing



## Suggested application

Load	V (l)	Fb (Hz)	F-3 (Hz)	Ql
Vented	22	62.5	60.5	7

Focal® is a trademark of Focal-JMLab®