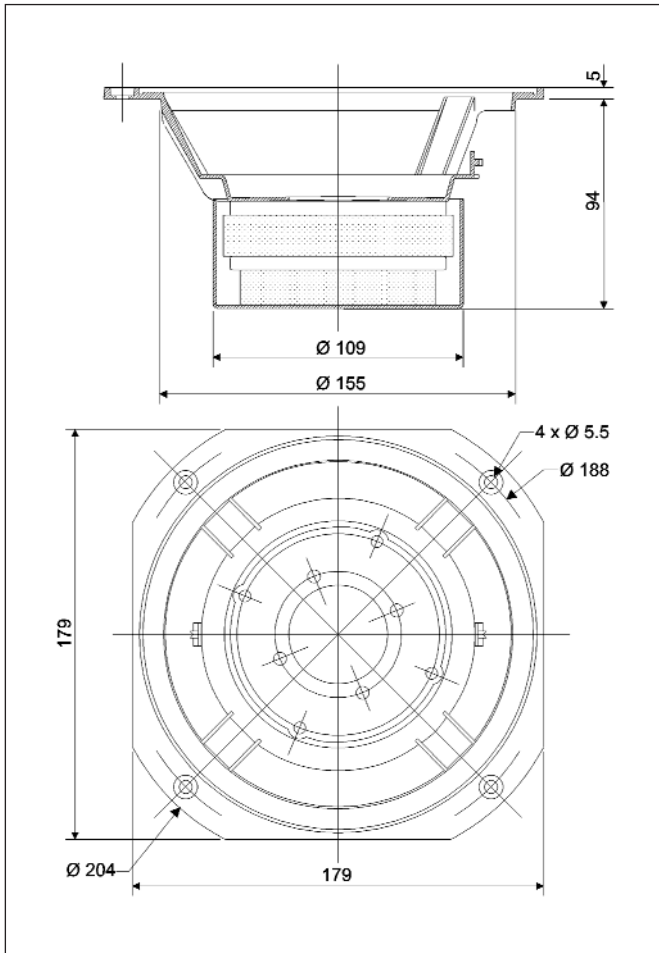


AUDIOPHILE SERIES

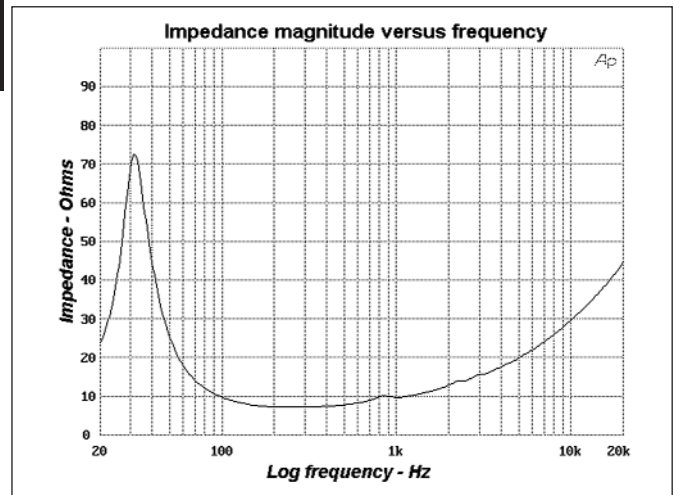
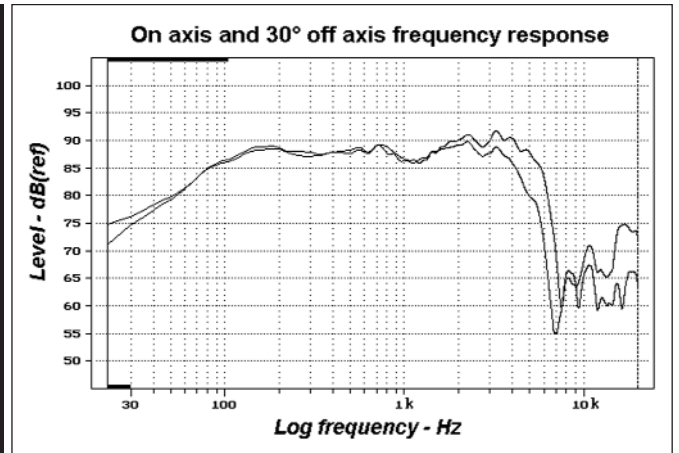
- Thick zamak alloy metal cast frame
- Semi exponential Neoglass cone, rubber surround
- Edgewound flat copper wire 40 mm voice coil, Kapton™ former, phase plug
- Efficiency : 89.2 dB
- Excellent choice for high resolution 20 l vented 2-way systems



DRAWING



MEASUREMENTS



SPECIFICATIONS

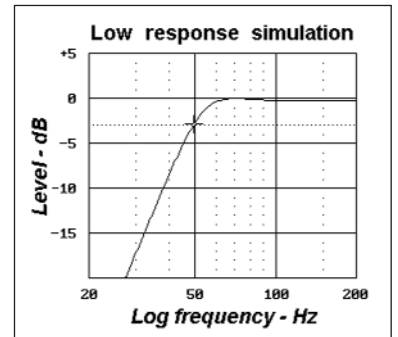
Nominal power handling	90	W
Program power handling	125	W
Sensitivity	89.2	dB (2.8V/1m)
Cone	Neoglass	
Surround	Rubber	
Nominal impedance	8	Ω
DC resistance	6.2	Ω
VC diameter	40	mm
VC height	13	mm
Former	Kapton™	
Layers	1	
Wire	Copper	
Inductance	0.64	mH
Xmax	3.5	mm
Magnet diameter x height	100 x 18	mm x mm
Magnet weight	564	g
Flux density	1.04	T
Gap height	6	mm
Net weight	2.4	kg

PARAMETERS

Fs	33.4	Hz
Vas	46.1	l
Qts	0.28	
Qes	0.29	
Qms	4.26	
Re	6.3	Ω
Sd	162.9	cm ²
Cas	329E-9	m ² /N
Mas	69.0	kg/m ⁴
Ras	3 398.9	Ω .ac
Cms	124E-5	m/N
Mms	18.3	g
Rms	904	g/s
Ces	219.3	μ F
Les	103.5	mH
Res	92.5	Ω
Bl	9.1	N/A
SPL	89.5	dB/W/m

SIMULATION

Ql:	7	Ω
Rg:	0.3	
Qts (+Rg):	0.28	



Vb:	20	l
Fb:	48.3	Hz
F-3:	49.2	Hz