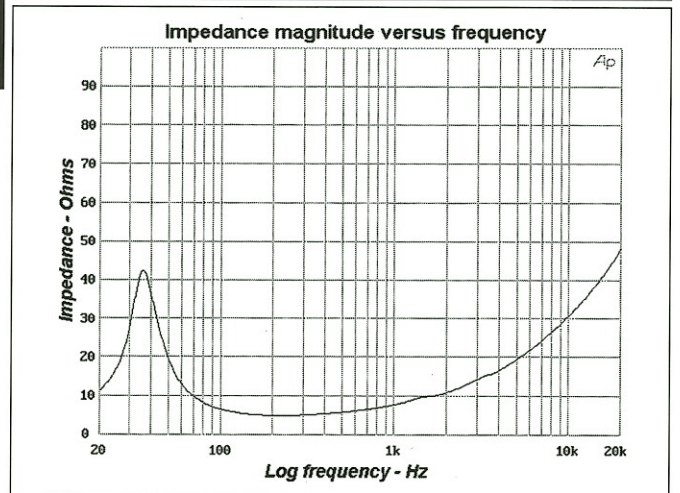
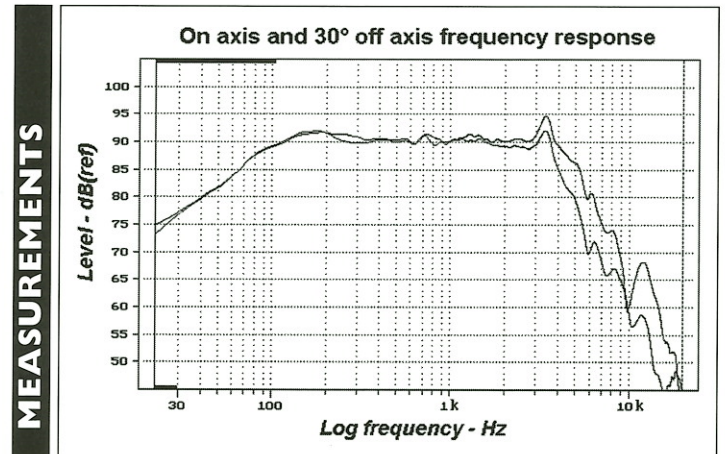
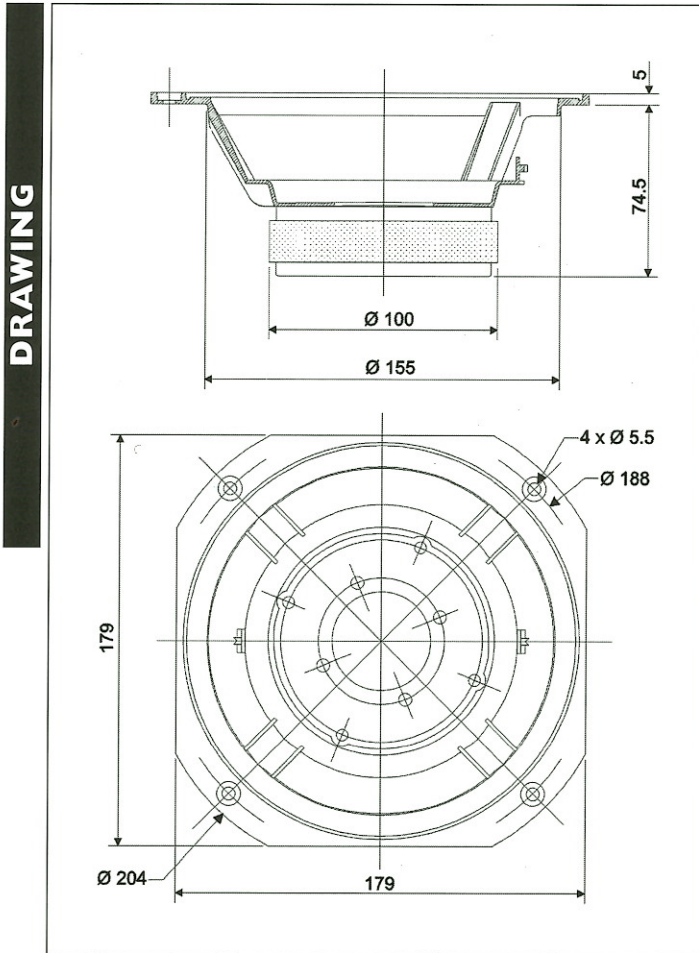




- Thick zamak alloy metal cast frame
- Straight profile PolyKevlar® cone, rubber surround
- 25 mm diameter voice coil, black aluminium former
- Efficiency : 91 dB
- Excellent for high efficiency 20 l vented 2-way systems



SPECIFICATIONS		
Nominal power handling	75	W
Program power handling	100	W
Sensitivity	91	dB (2.8V/1m)
Cone	PolyKevlar®	
Surround	Rubber	
Nominal impedance	2 x 8	Ω
DC resistance	2 x 4	Ω
VC diameter	25	mm
VC height	15	mm
Former	Black Aluminium	
Layers	4	
Wire	Copper	
Inductance	2 x 0.73	mH
Xmax	4.5	mm
Magnet diameter x height	100 x 18	mm x mm
Magnet weight	564	g
Flux density	1.03	T
Gap height	6	mm
Net weight	1.6	kg

PARAMETERS		
Fs	36.6	Hz
Vas	43.9	l
Qts	0.30	
Qes	0.33	
Qms	3.70	
Re	4.1	Ω
Sd	162.9	cm²
Cas	313E-9	m²/N
Mas	60.3	kg/m⁴
Ras	3 752.1	Ω.ac
Cms	118E-5	m/N
Mms	16.0	g
Rms	995	g/s
Ces	351.2	μF
Les	53.7	mH
Res	45.8	Ω
Bl	6.8	N/A
SPL	90.0	dB/W/m

SIMULATION		
Ql:	7	
Rg:	0.3	Ω
Qts (+Rg):	0.32	
<p>Low response simulation</p>		
Vb:	20	l
Fb:	45.7	Hz
F-3:	51.2	Hz