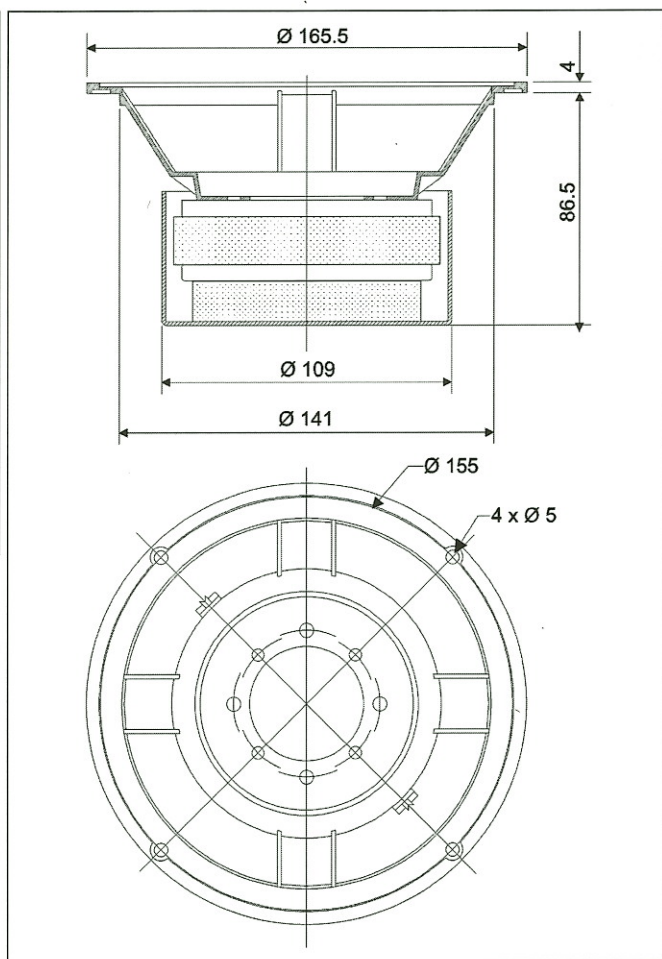


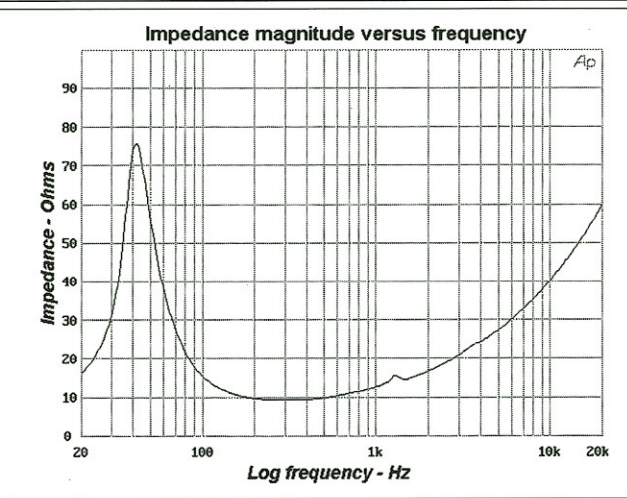
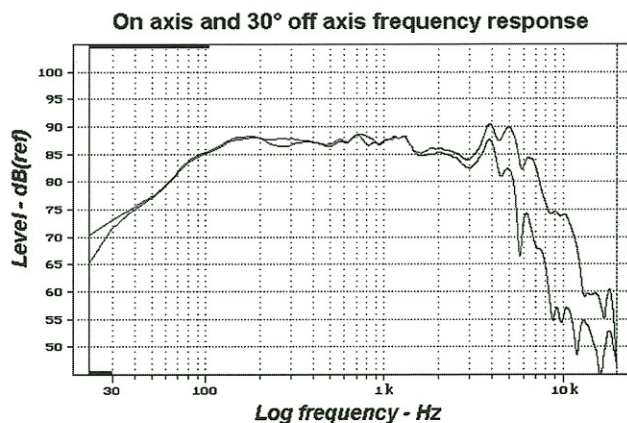


- Thick zamak alloy metal cast frame
- Semi exponential Polyglass cone, rubber surround
- Edgewound flat copper 40 mm voice coil, Kapton™ former, 10 ohms impedance
- Efficiency : 88.5 dB
- Very practical for 13 l vented systems and for dual driver applications

DRAWING



MEASUREMENTS



SPECIFICATIONS

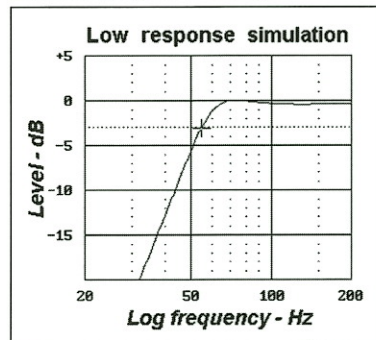
Nominal power handling	110	W
Program power handling	150	W
Sensitivity	88.5	dB (2.8V/1m)
Cone	Polyglass	
Surround	Rubber	
Nominal impedance	10	Ω
DC resistance	7.8	Ω
VC diameter	40	mm
VC height	16.5	mm
Former	Kapton™	
Layers	1	
Wire	Copper	
Inductance	0.92	mH
Xmax	5.25	mm
Magnet diameter x height	100 x 18	mm x mm
Magnet weight	564	g
Flux density	1.12	T
Gap height	6	mm
Net weight	2.2	kg

PARAMETERS

Fs	46.1	Hz
Vas	18.2	l
Qts	0.32	
Qes	0.34	
Qms	4.16	
Re	7.9	Ω
Sd	124.7	cm ²
Cas	129E-9	m ⁵ /N
Mas	92.6	kg/m ⁴
Ras	6 448.9	Ω.ac
Cms	828E-6	m/N
Mms	14.4	g
Rms	999	g/s
Ces	148.6	μF
Les	80.2	mH
Res	96.7	Ω
Bl	9.8	N/A
SPL	89.0	dB/W/m

SIMULATION

Qt:	7	Ω
Rg:	0.3	
Qts (+Rg):	0.32	



Vb:	13	l
Fb:	56.7	Hz
F-3:	54.4	Hz