

6 V 3211 B

6-1/2" Polyglass® woofer-midrange



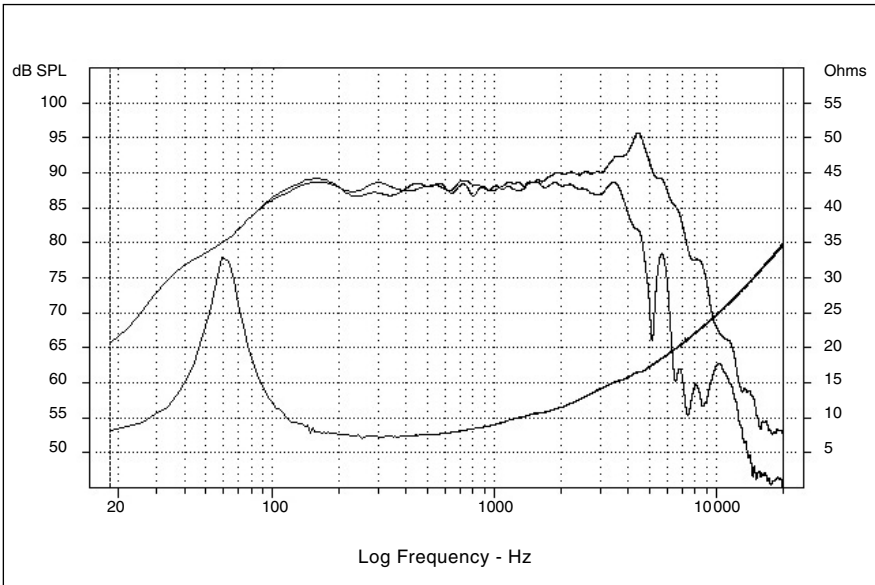
- Thick zamak alloy metal cast frame
- Straight profile Polyglass® cone, rubber surround
- Edgewound flat copper wire 25mm voice coil, black aluminium former
- Efficiency: 88.5dB
- Very practical for 15l vented systems



Specifications

Nominal power	60 W	
Maximum power	80 W	
Sensitivity	87.94 dB	
Cone	Polyglass®	
Surround	rubber	
Nom. impedance	6 ohms	
DC resistance	6.5 ohms	
VC diameter	25 mm	3.88 in
VC height	12.4 mm	0.49 in
Former	aluminium	
Layers	2	
Wire	copper	
Inductance	0.56 mH	
Xmax	3.2 mm	0.13 in
Magnet d x h	85 x 18 mm	3.35 x 0.70 in
Magnet weight	361 g	0.80 lb
Flux density	1.15 T	
Gap height	6 mm	0.24 in
Net weight	2 kg	4.41 lb

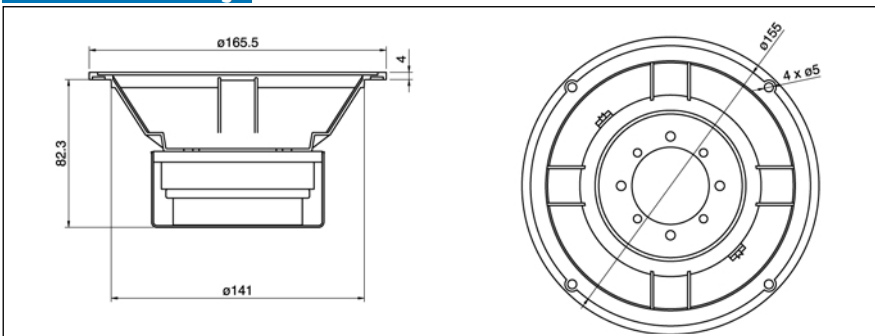
Frequency Response / Impedance



Parameters

Fs	60.4 Hz	
Vas	14 l	854.3 in3
Qts	0.53	
Qes	0.66	
Qms	2.74	
Re	6.5 ohms	
Sd	132.7 Cm ²	20.6 in ²
Cas	995E-10 m5/N	
Mas	69.9 kg/m4	
Ras	9677.5 ohms.ac	
Cms	0565E-6 m/N	
Mms	12.32 g	0.027 lb
Rms	1.70 g/s	
Ces	267.8 mF	
Les	26 mH	
Res	27 ohms	
BI	6.78 N/A	
SPL	88.5 dB/W/m	

Mechanical Drawing



Suggested application

Load	V (l)	Fb (Hz)	F-3 (Hz)	Ql
Vented	14	52.1	57.6	7

Focal® is a trademark of Focal-JMLab®