

# 6 K 4311 B

6-1/2" Polykevlar® woofer-midrange



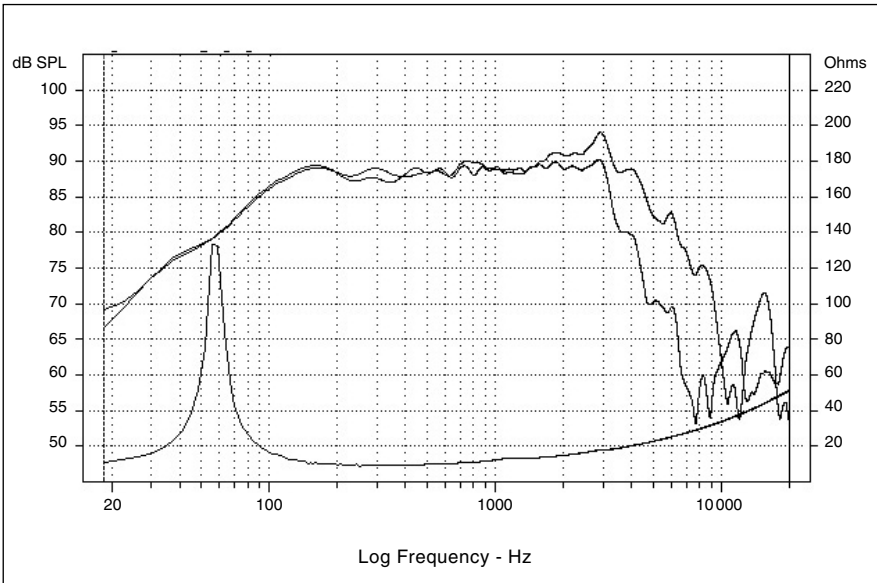
- Thick zamak alloy metal cast frame
- Straight profile Polykevlar® cone, rubber surround
- Edgewound flat copper wire 32mm voice coil, black Kapton® former
- Efficiency: 90dB, 10 ohms impedance
- Excellent for small 15 to 20l vented 2-way systems and for dual drivers applications



## Specifications

Nominal power	90 W	
Maximum power	125 W	
Sensitivity	89.27 dB	
Cone	Kevlar®	
Surround	rubber	
Nom. impedance	8 ohms	
DC resistance	8.07 ohms	
VC diameter	32 mm	4.96 in
VC height	16 mm	0.63 in
Former	Kapton®	
Layers	2	
Wire	copper	
Inductance	0.7 mH	
Xmax	5 mm	0.20 in
Magnet d x h	1000 x 18 mm	39.37 x 0.70 in
Magnet weight	564g	1.24 lb
Flux density	1.1 T	
Gap height	6 mm	0.24 in
Net weight	2.2 kg	4.85 lb

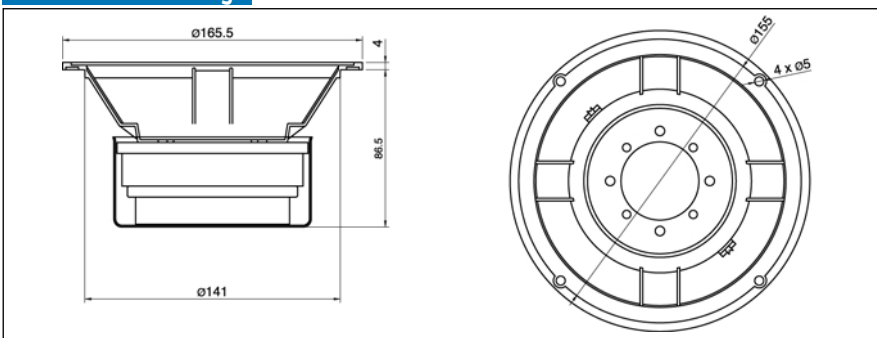
## Frequency Response / Impedance



## Parameters

Fs	57.6 Hz	
Vas	17.5 l	1067.9 in3
Qts	0.44	
Qes	0.46	
Qms	8.47	
Re	8.07 ohms	
Sd	136.8 Cm <sup>2</sup>	21.2 in <sup>2</sup>
Cas	125E-09 m5/N	
Mas	61.4 kg/m4	
Ras	2620.7 ohms.ac	
Cms	0665E-6 m/N	
Mms	11.49 g	0.025 lb
Rms	0.49 g/s	
Ces	157.6 mF	
Les	48.5 mH	
Res	148.6 ohms	
BI	8.54 N/A	
SPL	90.5 dB/W/m	

## Mechanical Drawing



## Suggested application

Load	V (l)	Fb (Hz)	F-3 (Hz)	QI
Vented	16	57.1	58.2	7

Focal® is a trademark of Focal-JMLab®