

5 K 4211

5-1/4" Polykevlar® woofer-midrange



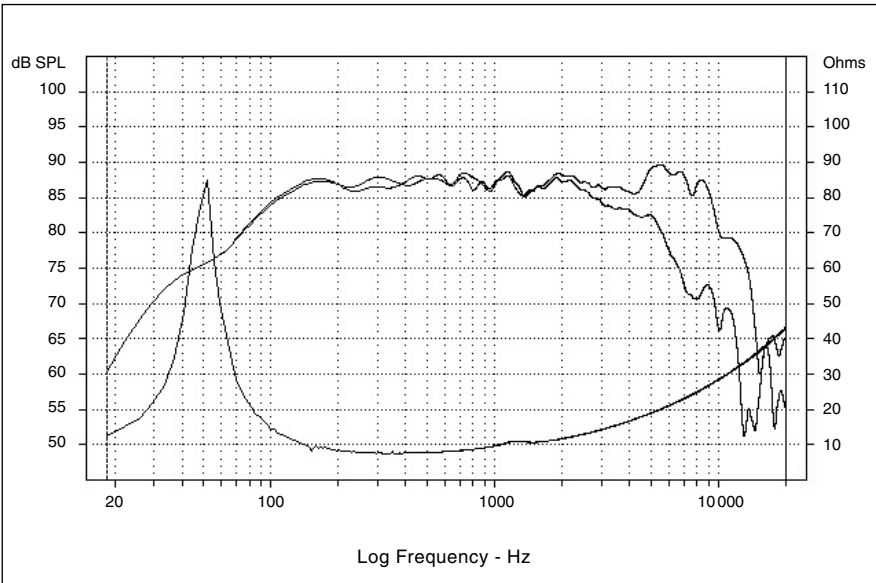
- Thick zamak alloy metal cast frame
- Semi exponential Polykevlar® cone, rubber surround
- 25mm diameter voice coil, Nomex® former, phase plug
- Efficiency: 89.3dB
- A classic, high resolution midrange, robust and efficient midbass



Specifications

Nominal power	50 W	
Maximum power	70 W	
Sensitivity	88.63 dB	
Cone	Kevlar®	
Surround	rubber	
Nom. impedance	6 ohms	
DC resistance	6.61 ohms	
VC diameter	25 mm	3.88 in
VC height	12.4 mm	0.49 in
Former	Nomex®	
Layers	2	
Wire	copper	
Inductance	0.51 mH	
Xmax	3.2 mm	0.13 in
Magnet d x h	100 x 18 mm	3.93 x 0.70 in
Magnet weight	564 g	1.24 lb
Flux density	1.2 T	
Gap height	6 mm	0.24 in
Net weight	1.5 kg	3.31 lb

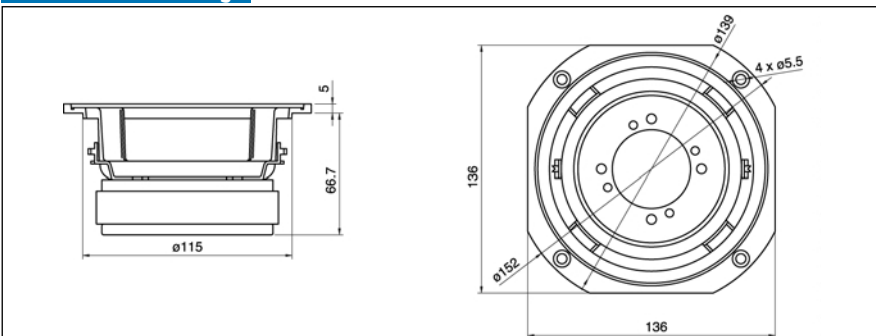
Frequency Response / Impedance



Parameters

Fs	56.4 Hz	
Vas	11.5 l	701.8 in3
Qts	0.32	
Qes	0.37	
Qms	2.49	
Re	6.61 ohms	
Sd	86.6 Cm ²	13.4 in ²
Cas	816E-10 m5/N	
Mas	97.6 kg/m4	
Ras	13 894.2 ohms.ac	
Cms	1088E-6 m/N	
Mms	7.32 g	0.016 lb
Rms	1.04 g/s	
Ces	158 mF	
Les	50.4 mH	
Res	44.5 ohms	
BI	6.81 N/A	
SPL	89.3 dB/W/m	

Mechanical Drawing



Suggested application

Load	V (l)	Fb (Hz)	F-3 (Hz)	Ql
Vented	10	66.2	63.1	7

Focal® is a trademark of Focal-JMLab®