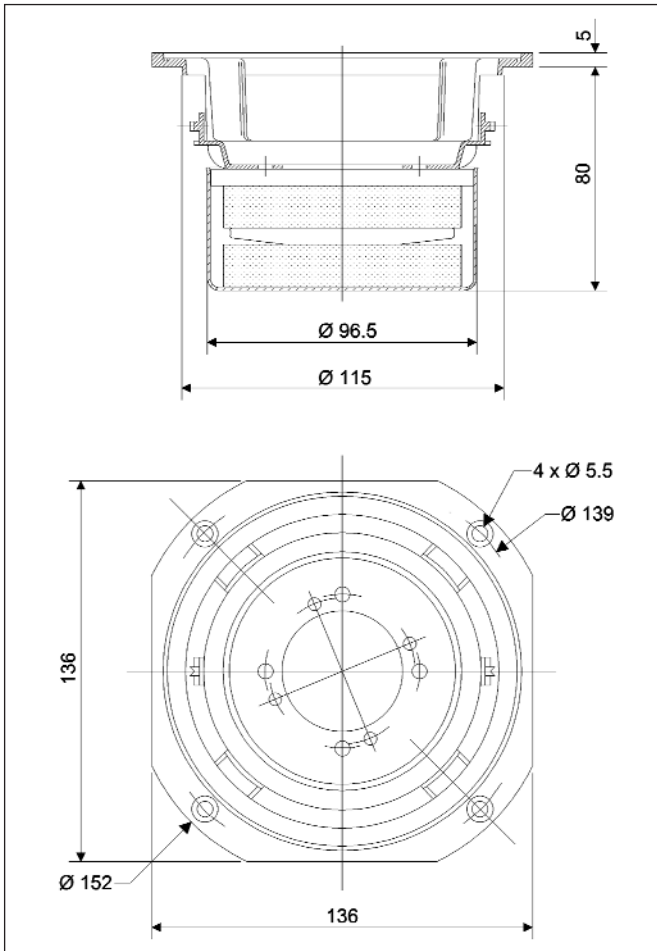


AUDIOPHILE SERIES

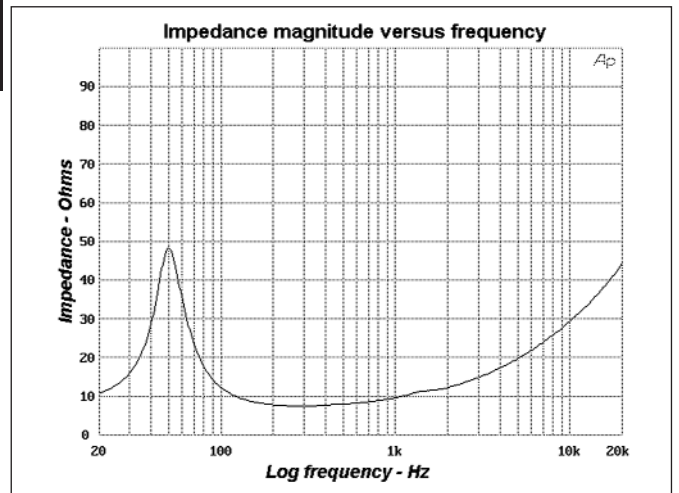
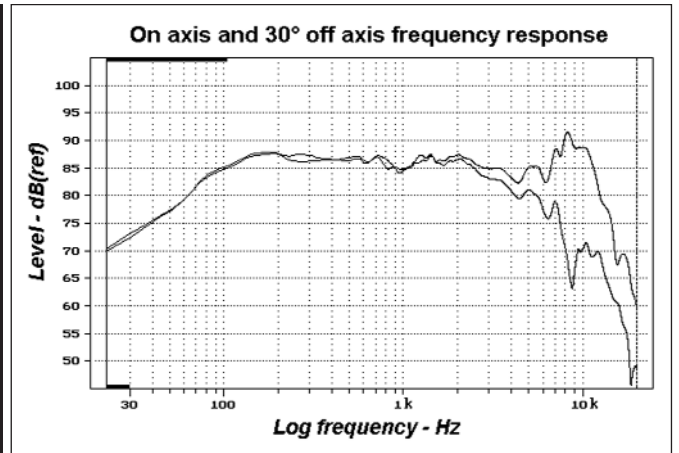
- Thick zamak alloy metal cast frame
- Semi exponential PolyKevlar® cone, rubber surround
- 25 mm diameter voice coil, Nomex™ former, phase plug
- Efficiency : 88.5 dB
- Robust and efficient midbass



DRAWING



MEASUREMENTS



SPECIFICATIONS

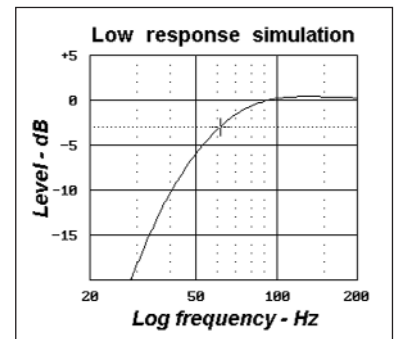
Nominal power handling	50	W
Program power handling	70	W
Sensitivity	88.5	dB (2.8V/1m)
Cone	Polykevlar®	
Surround	Rubber	
Nominal impedance	8	Ω
DC resistance	6.6	Ω
VC diameter	25	mm
VC height	12.4	mm
Former	Nomex™	
Layers	2	
Wire	Copper	
Inductance	0.63	mH
Xmax	3.2	mm
Magnet diameter x height	85 x 18	mm x mm
Magnet weight	361	g
Flux density	1.15	T
Gap height	6	mm
Net weight	1.9	kg

PARAMETERS

Fs	54.1	Hz
Vas	13.6	l
Qts	0.42	
Qes	0.48	
Qms	3.49	
Re	6.7	Ω
Sd	86.6	cm ²
Cas	969E-10	m ² /N
Mas	89.4	kg/m ⁴
Ras	8 703.4	Ω .ac
Cms	130E-5	m/N
Mms	6.7	g
Rms	651	g/s
Ces	210.8	μ F
Les	41.1	mH
Res	49.3	Ω
Bl	5.7	N/A
SPL	88.5	dB/W/m

SIMULATION

Ql:	7	Ω
Rg:	0.3	
Qts (+Rg):	0.44	



Vb:	10	l
Fb:	50.3	Hz
F-3:	61.3	Hz