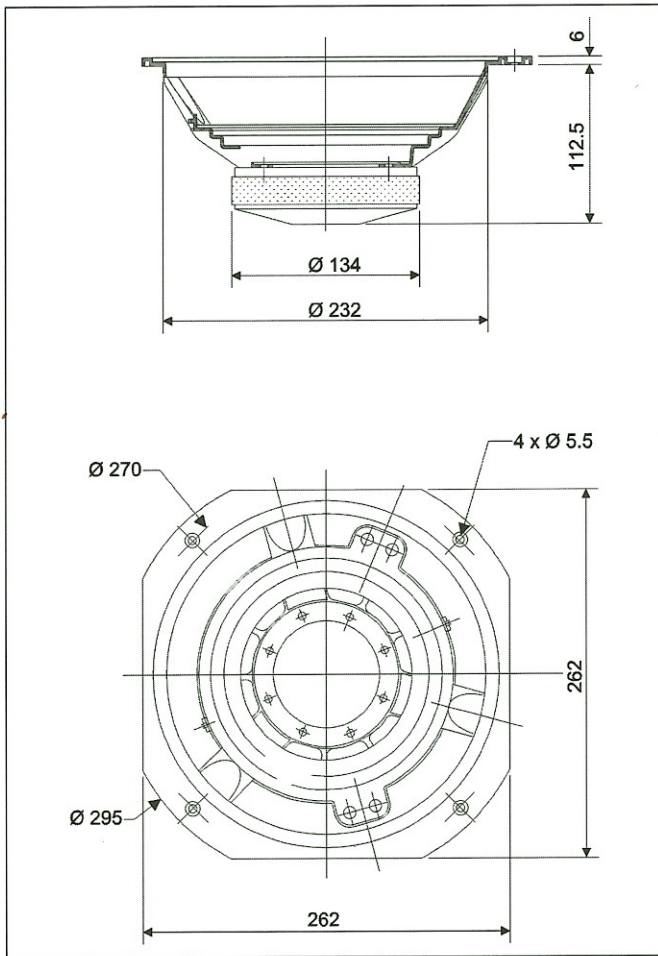


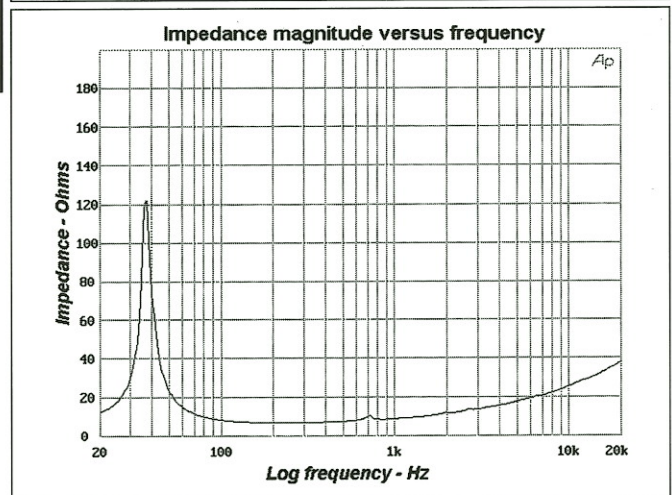
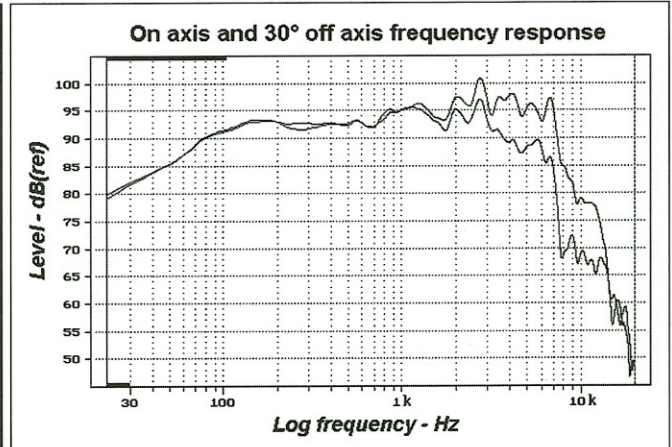
- Thick zamak alloy metal cast frame
- Straight profile Polyglass cone, large rubber surround
- Edgewound flat copper wire 40 mm voice coil, black Kapton™ former
- Efficiency : 93.1 dB
- High efficiency woofer for large vented 3-way systems



DRAWING



MEASUREMENTS



SPECIFICATIONS

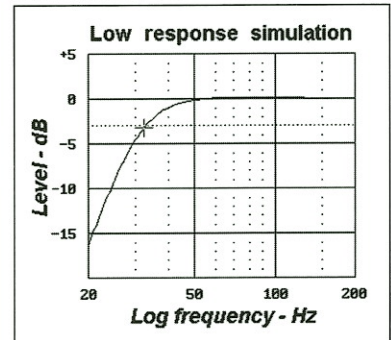
Nominal power handling	100	W
Program power handling	150	W
Sensitivity	93.1	dB (2.8V/1m)
Cone	Polyglass	
Surround	Rubber	
Nominal impedance	8	Ω
DC resistance	6.2	Ω
VC diameter	40	mm
VC height	13	mm
Former	Kapton™ MTB	
Layers	1	
Wire	Copper	
Inductance	0.51	mH
X _{max}	3.5	mm
Magnet diameter x height	134 x 20	mm x mm
Magnet weight	1160	g
Flux density	1.52	T
Gap height	6	mm
Net weight	3.7	kg

PARAMETERS

F _s	32.9	Hz
V _{as}	116.9	l
Q _{ts}	0.38	
Q _{es}	0.39	
Q _{ms}	11.95	
R _e	6.0	Ω
S _d	356.3	cm ²
C _{as}	832E-9	m ² /N
M _{as}	28.2	kg/m ⁴
R _{as}	487.0	Ω.ac
C _{ms}	655E-6	m/N
M _{ms}	35.8	g
R _{ms}	618	g/s
C _{es}	315.4	μF
L _{es}	74.4	mH
R _{es}	183.5	Ω
Bl	10.7	N/A
SPL	92.1	dB/W/m

SIMULATION

Ql:	7	Ω
Rg:	0.8	
Qts (+Rg):	0.42	



V _b :	110	l
F _b :	31.8	Hz
F-3:	32.3	Hz