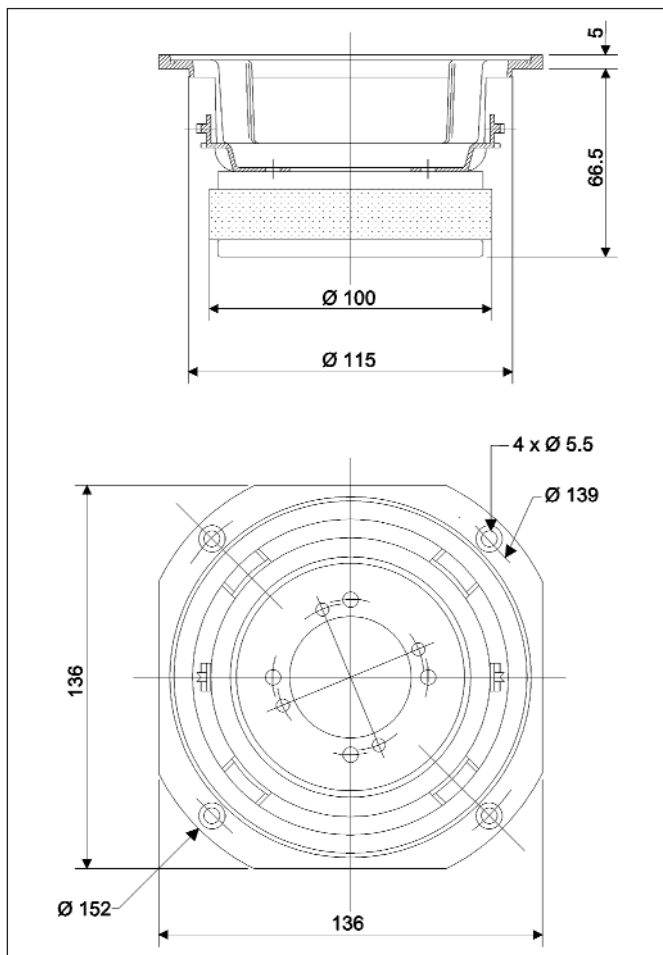


AUDIOPHILE SERIES

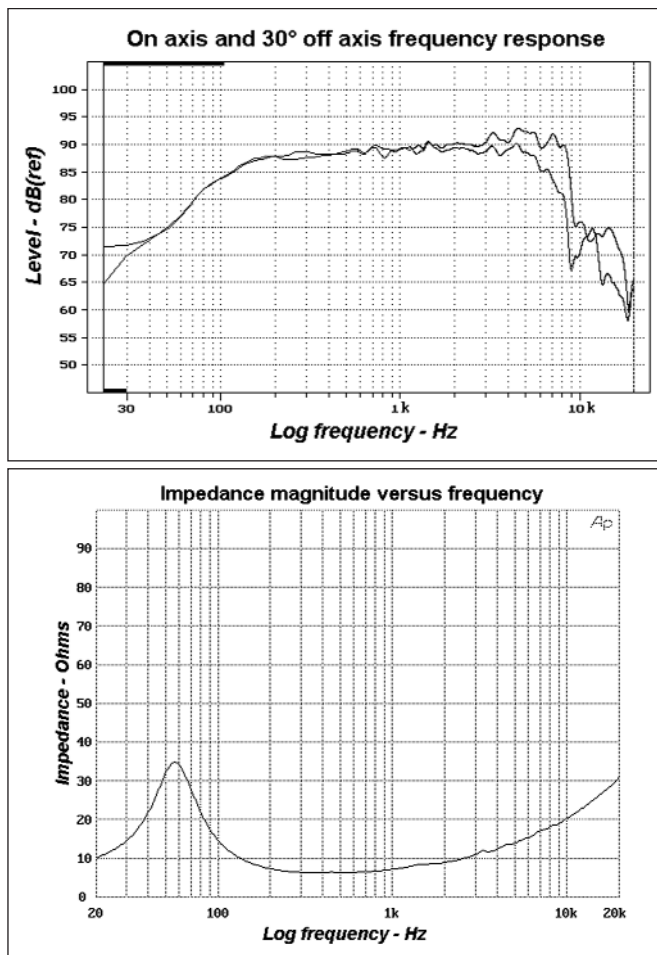
- Thick zamak alloy metal cast frame
- Semi exponential Neoglass cone, rubber surround
- 25 mm diameter voice coil, Nomex™ former, phase plug
- Efficiency : 90 dB
- Natural voicing, very low distortion and good bass response



DRAWING



MEASUREMENTS



SPECIFICATIONS

Nominal power handling	40	W
Program power handling	100	W
Sensitivity	90	dB (2.8V/1m)
Cone	Neoglass	
Surround	Rubber	
Nominal impedance	8	Ω
DC resistance	5.4	Ω
VC diameter	25	mm
VC height	10	mm
Former	Nomex™	
Layers	2	
Wire	Copper	
Inductance	0.37	mH
Xmax	2	mm
Magnet diameter x height	100 x 18	mm x mm
Magnet weight	564	g
Flux density	1.28	T
Gap height	6	mm
Net weight	1.5	kg

PARAMETERS

Fs	54.5	Hz
Vas	11.4	l
Qts	0.28	
Qes	0.33	
Qms	1.85	
Re	5.4	Ω
Sd	86.6	cm ²
Cas	810E-10	m ² /N
Mas	105.1	kg/m ⁴
Ras	19 467.6	Ω .ac
Cms	108E-5	m/N
Mms	7.9	g
Rms	1 460	g/s
Ces	177.0	μ F
Les	48.1	mH
Res	30.5	Ω
Bl	6.7	N/A
SPL	89.3	dB/W/m

SIMULATION

Ql:		Ω
Rg:		
Qts (+Rg):		
Vb:		l
Fb:		Hz
F-3:		Hz